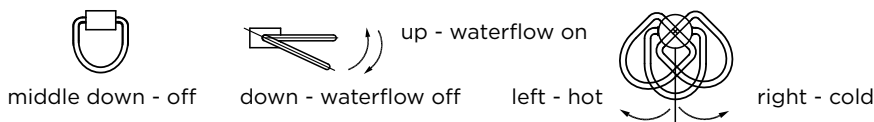
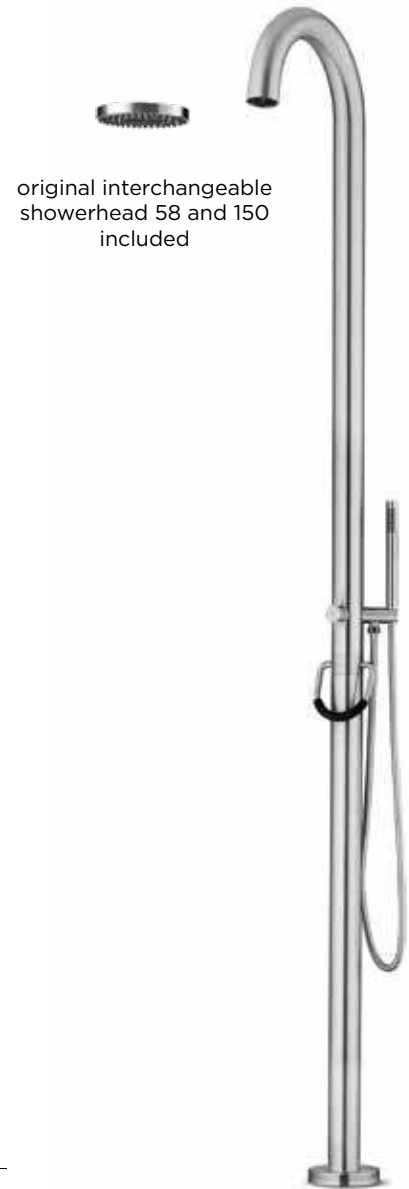
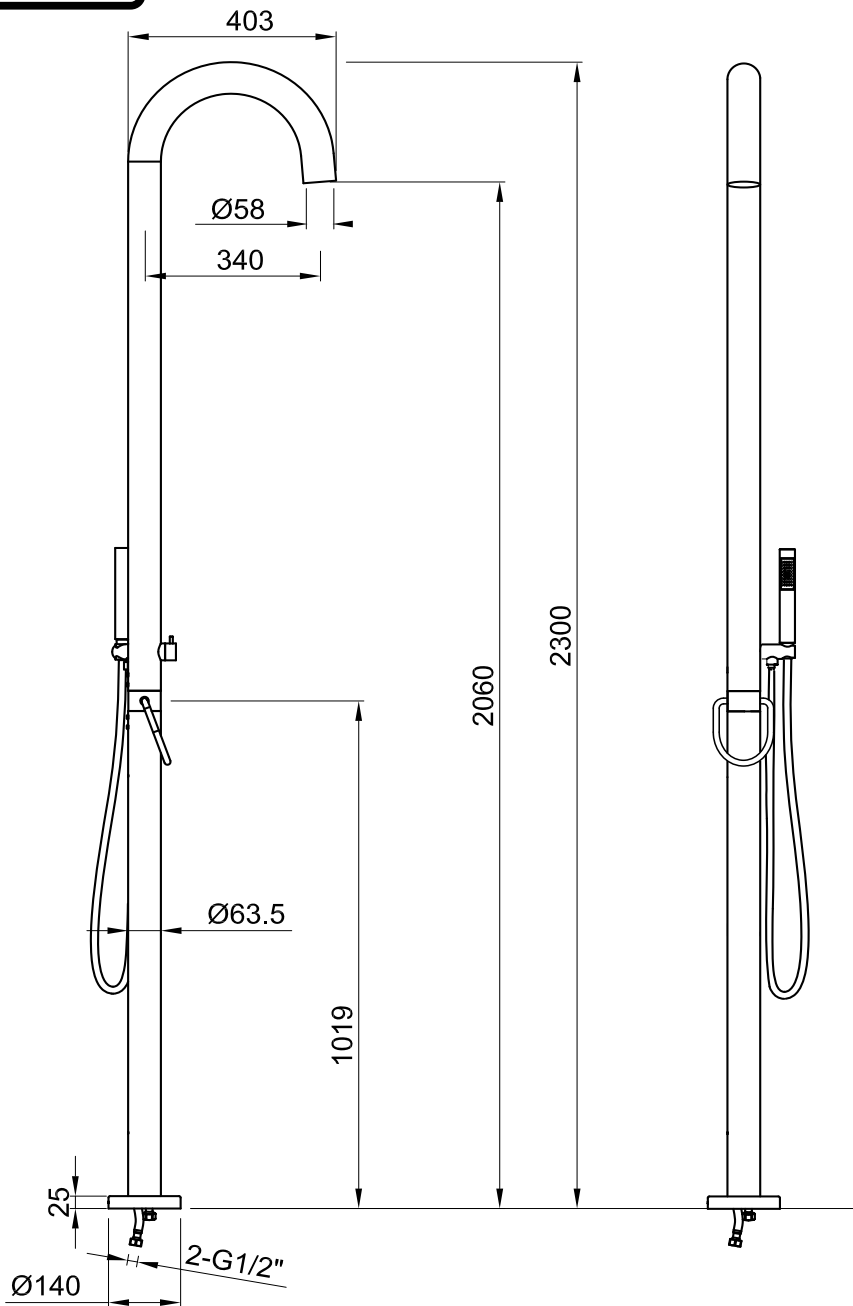




JEE-O original shower 02



Article code: 100-6210
 ● Brushed

Material: Stainless Steel r316

Cleaning instructions: download JEE-O shower and taps manual on our website: www.jee-o.com

Cartridges: Kerox ceramic mixing mechanism (35mm), item code 005-0101 and JEE-O ceramic diverter mechanism, item code 005-0302

Interchangeable shower heads
 ø58mm/43 nozzles, item code 101-6120
 ø150mm/100 nozzles, item code 101-6140

Flow at water of 38°C: 12l p/m at 3Bar pressure

Pressure: Recommended working pressure 3Bar

Flexhose: 150 cm length

Connection: 2 x G 1/2" (ø15mm / 0.6") nylon^(out)/epdm⁽ⁱⁿ⁾ flexhose with stainless steel swivel British Standard Pipe (BSP)

Thread:

Dimension package: L 159 x W 27 W 66 x H 21 cm

Total weight: 14,5 kg

Package weight: 3,2 kg

Placing on a water-tight floor

7 year warranty - The general conditions can be found on our website: www.jee-o.com/downloads

HS code: 84818011900

Approvals: SLS BS EN 817, SS 375, AS/NZS 4020, BS EN

