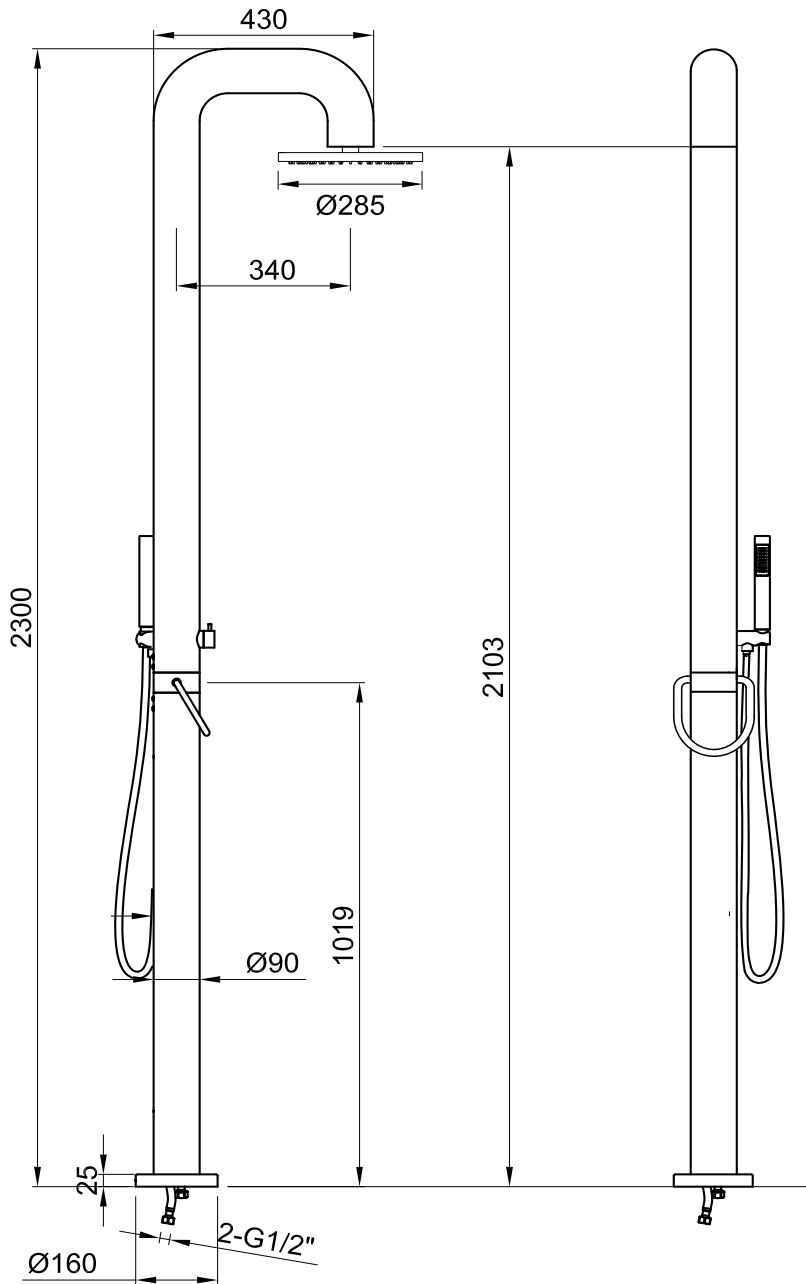
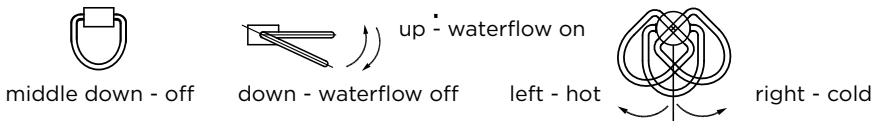




JEE-O fatline shower 02



fatline interchangeable showerhead 85 and 285 included



Article code: **200-6210**
 ● Brushed

Material: **Stainless Steel r316**

Cleaning instructions: **download JEE-O shower and taps manual on our website: www.jee-o.com**

Cartridges: **Kerox ceramic mixing mechanism (40mm), item code 005-0102 and JEE-O ceramic diverter mechanism, item code 005-0302**

Interchangeable shower heads
 ø285mm/127 nozzles, item code 201-6140
 ø85mm/ 78 nozzles, item code 201-6120

Flow at water of 38°C: **12l p/m at 3Bar pressure**

Pressure: **Recommended working pressure 3Bar**

Flexhose: **150 cm length**

Connection: **2 x G 1/2" (ø15mm / 0.6") nylon^(out)/epdm⁽ⁱⁿ⁾ flexhose with stainless steel swivel British Standard Pipe (BSP)**

Thread:

Dimension package: **L 161 x W 27 W 66 x H 24 cm**

Total weight: **18,7 kg**

Package weight: **3,2 kg**

Placing on a water-tight floor

7 year warranty - The general conditions can be found on our website: www.jee-o.com/downloads

HS code: **84818011900**

Approvals: **SLS BS EN 817, SS 375, AS/NZS 4020, BS EN**

